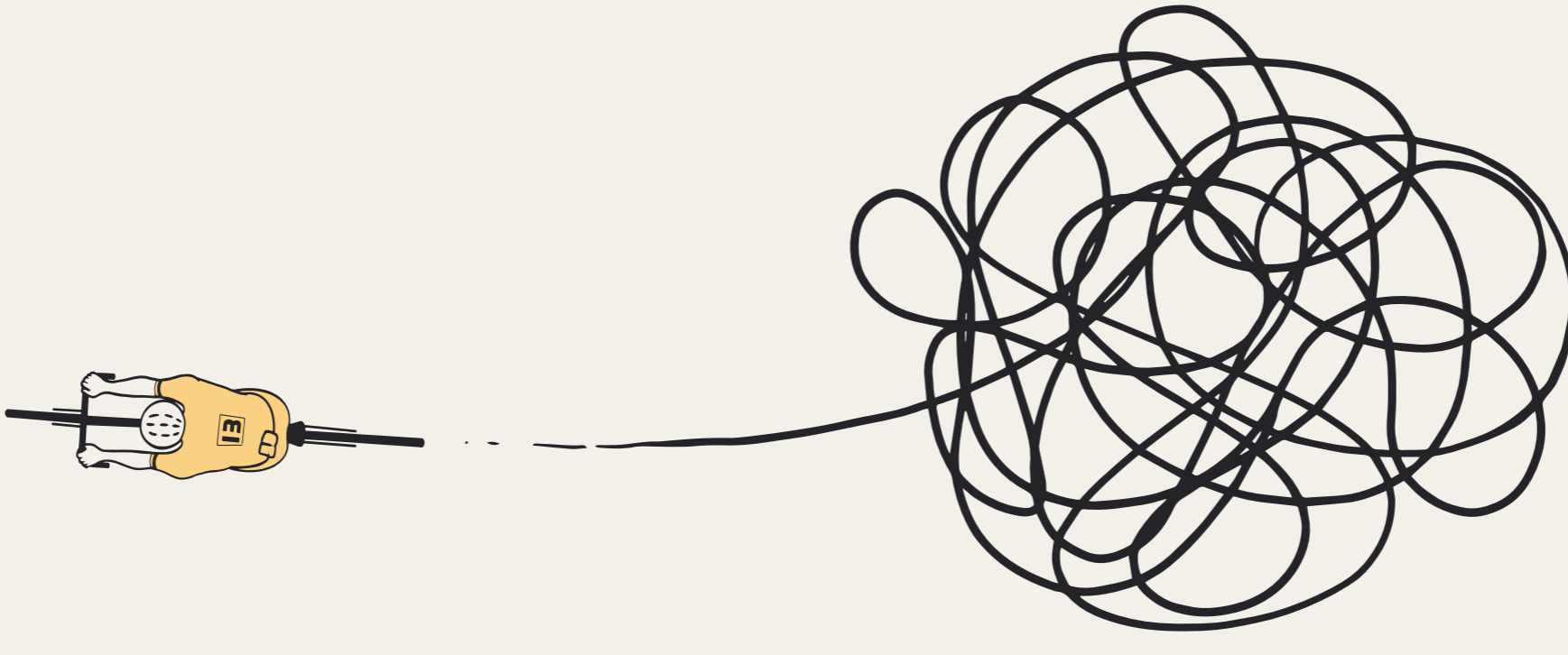




Unlock the power of your Smartsheet app

Most end users feel overwhelmed by their software. Continual updates, complex workflows, and more than one “right” way to get the job done can derail productivity. Before users can work effectively with Smartsheet, they need to catch the greater vision behind their technology.



Less confusion for overwhelmed users

First, simplify. When rolling out Smartsheet and other technology, poll users on which tools they currently use. Clarify goals around Smartsheet to help reduce usage of redundant project management tools.

1,800

On average, the typical organization has 1,800 software applications.

Source: Digital transformation asset

10

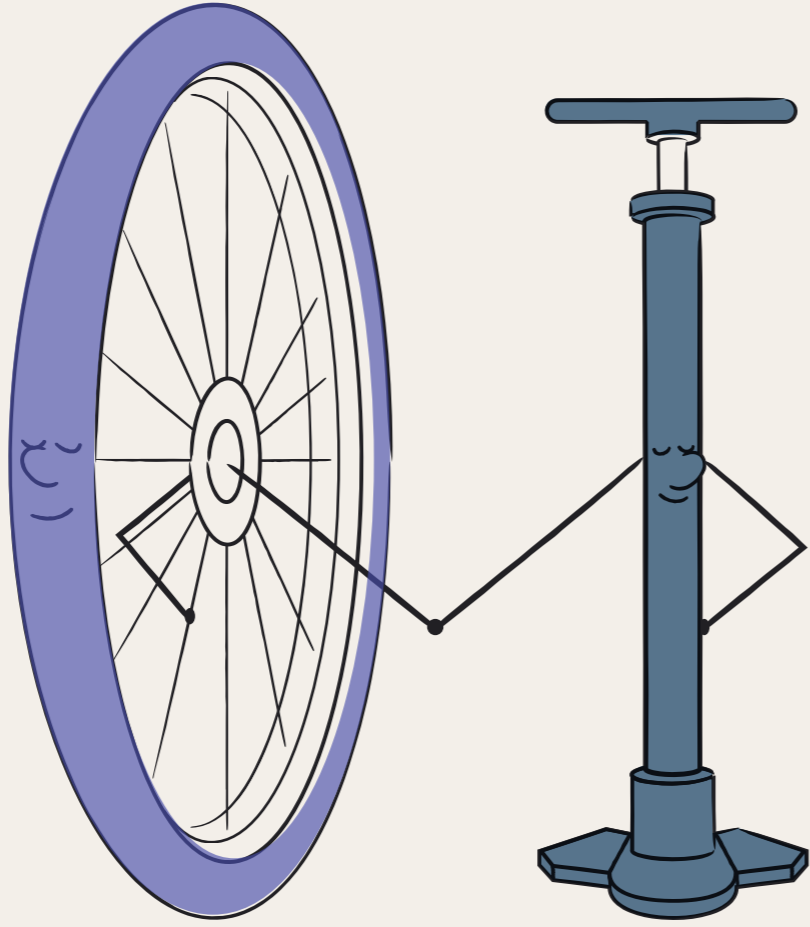
The average user works (or tries to work) with 10 desktop applications open all at once.

Source: Skype for business is going away asset

54%

54% of employees feel unengaged with their work and their software.

Source: Digital transformation asset



Smartsheet app and Microsoft 365 integration

Second, streamline. Smartsheet integrates with key Microsoft apps, including Teams, creating a hub where users can collaborate, streamline their Smartsheet workflow, and complete critical tasks in one place.

7

Smartsheet integrates with 7 Microsoft apps. Teams, Outlook, Excel, Power BI, OneDrive, Flow, and Azure

Source: <https://www.smartsheet.com/marketplace/partners/microsoft>

44%

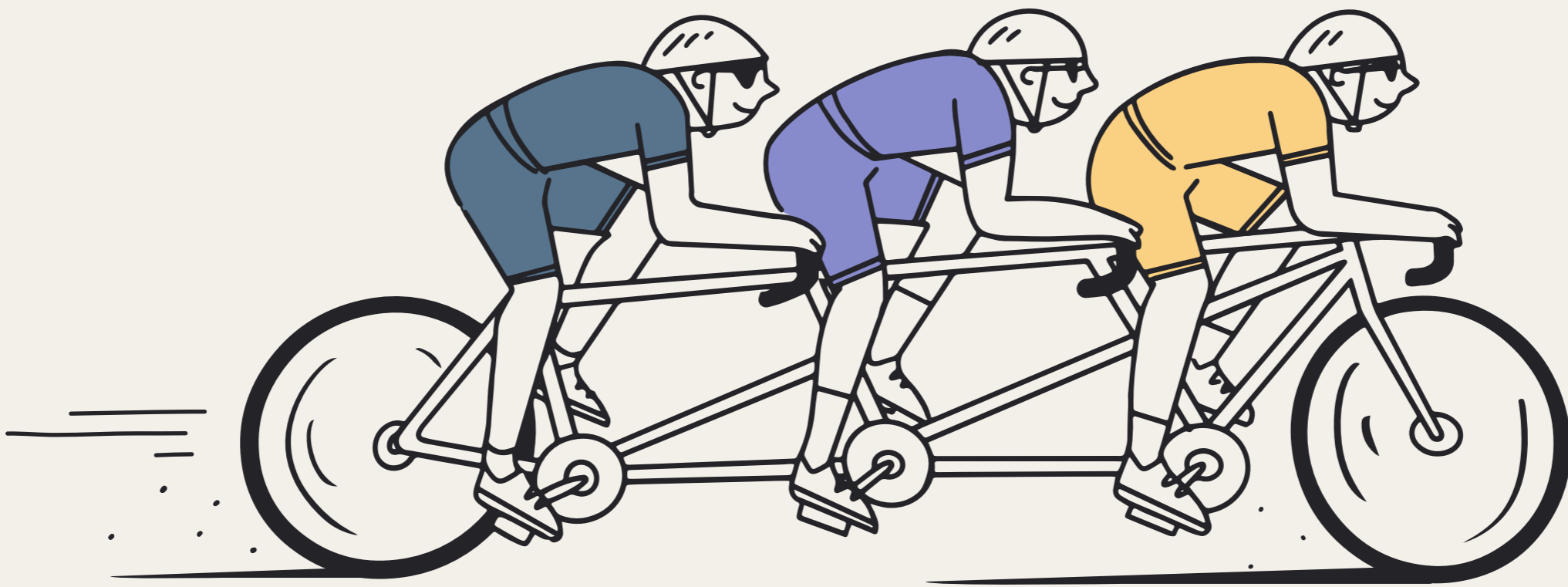
With one hub, 44% of users see fewer data silos across their organizations and teams.

Source: https://www.jphowardassoc.com/3-productivity-killers?lightbox=datatem-jp7ipfzj__item-j9salkm3

88%

88% of users believe Teams simplifies group work.

Source: 5 things you'll love about Microsoft Teams



Better together: Smartsheet + Microsoft + BrainStorm

Finally, show. Just because users have a software license doesn't mean they have software skills. BrainStorm gives users the why, how, and when behind Smartsheet—and all their software tools.

91%

While learning with BrainStorm, 91% of users identified part of their work they can improve.

Source: Digital transformation asset

112%

The average number of users expressing confidence in Teams grew 112%.

Source: Digital transformation asset

18

One BrainStorm learning experience can save 18 minutes of employee productivity a week.

source: <https://www.brainstorminc.com/quickhelp>

Ready to power up your Smartsheet and Microsoft productivity?

[Get started with BrainStorm](#)

